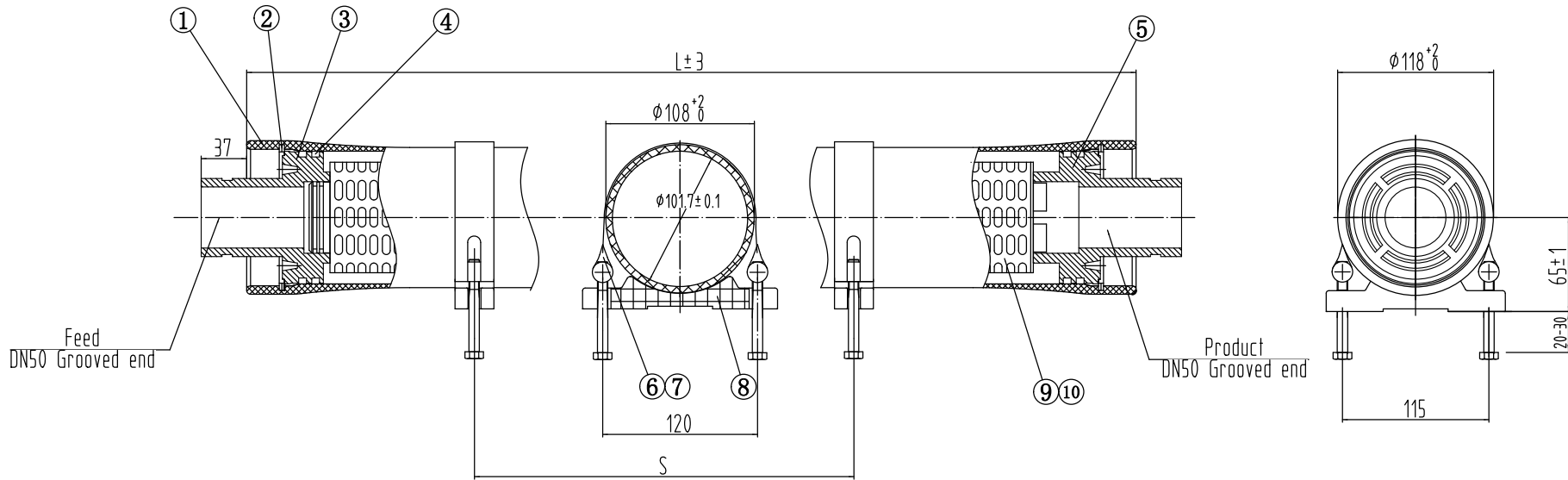


ET40-150E



Note:

1. Design pressure: 1.0MPa(10KG)
2. Design temperature: 150° F(66° C)
3. Minimum temperature: 14° F(-10° C)
4. Working medium: Water, PH 3-11
5. Please operate in accordance with User Guide
6. Flexible piping should be used on permeate connection to mainfold

Ref.	Part Number	L (MM)	S (MM)	Approx assembly weight (KG)
20"	ET40-150E-20	622	450	4.5
40"	ET40-150E-40	1100	750	6

10	Guiding Frame	ET40-150E-10	1	ABS	
9	Filter	ET40-150E-9	1	PP	Filter precision chosen by user
8	Saddle	ET40-150E-8	2	Rubber	
7	Strap Screw	ET40-150E-7	4	304SST	M8*70
6	Strap	ET40-150E-6	2	304SST-Rubber	
5	Outlet End Cap	ET40-150E-5	1	ABS	
4	O-Ring	ET40-150E-4	4	EPDM	90*5.3
3	Inlet End Cap	ET40-150E-3	1	ABS	
2	QuickRelease Spiral Ring	ET40-150E-2	2	304SST	
1	Pressure Shell	See SelectionTable	1	Epoxy FRP	White
Ref.	Description	Part Number	Qty.	Material	Remark

**Harbin FirstLine Environment Technology Co., Ltd.**

<b>First Line</b>	Design Date	Model	ET40-150E Cartridge Housing
	Review Date	DRG	ET40-150E-00
	Approval Date	Unit	mm
		REV.	2017