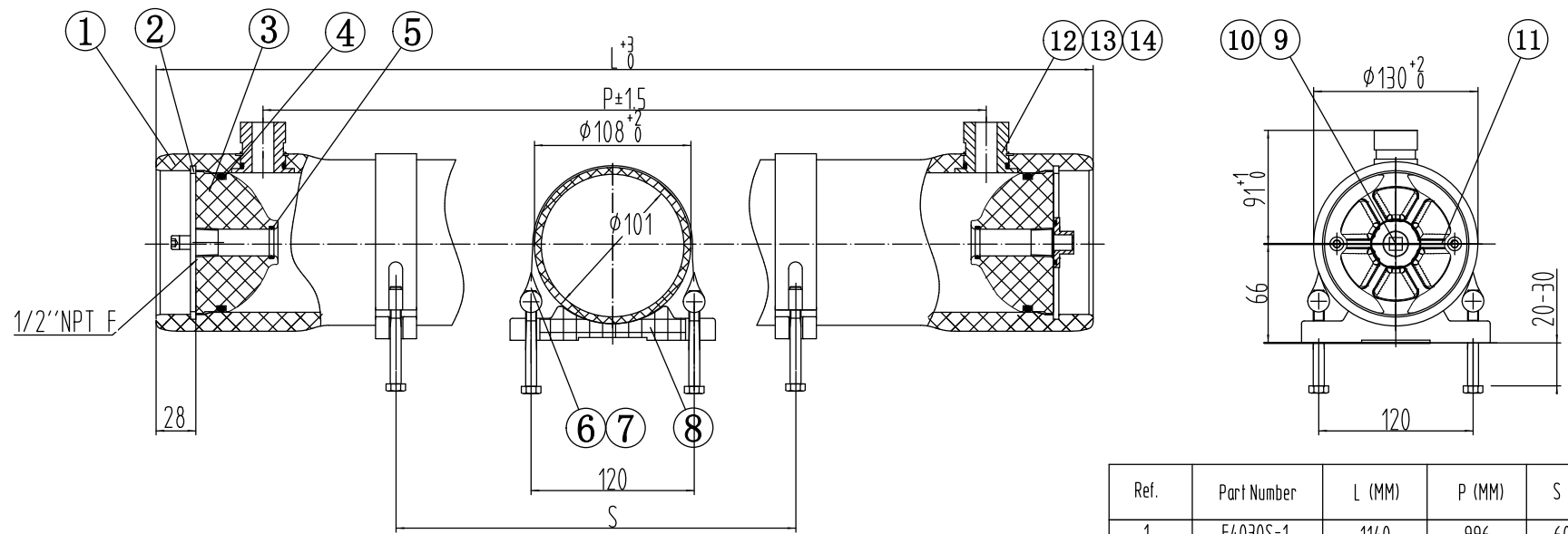


300PSI

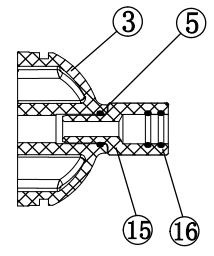


Note:

1. Design pressure: 300PSI(21Bar)
2. Design temperature: 150°F(66°C)
3. Minimum temperature: 14°F(-10°C)
4. Working medium: Water,PH 3-11
5. Please operate in accordance with User Guide
6. Flexible piping should be used on permeate connection to manifold
7. Side port misalignment can not exceed 0.7mm in any direction
8. Subject to change without prior notice

Ref.	Part Number	L (MM)	P (MM)	S (MM)	Approx assembly weight (KG)
1	F4030S-1	1140	996	600	7.6
2	F4030S-2	2156	2012	1200	12.3
3	F4030S-3	3172	3028	2200	17
4	F4030S-4	4268	4112	1600x2	21.7
5	F4030S-5	5284	5128	2300x2	26.4
6	F4030S-6	6300	6144	2700x2	31.1

Ref.	Description	Part Number	Qty.	Material	Remark
16	O-Ring	F40L-59-01	4	EPDM	19*2.65 Used for 4 to 6 elements vessel only
15	Adapler	F40L-101-01	2	ABS	28*2.65 Used for 4 to 6 elements vessel only
14	Retaining Ring	F40L-95-01	2-4	304SST	
13	O-Ring	F40L-93-01	2-4	EPDM	28*2.65
12	Feed/Conc. Part	F40L-91-01	2-4	316LSST	
11	Locking Crescent Screw	F40L-88-01	4	304SST	M6*10
10	O-Ring	F40L-53-01	1	EPDM	23.6*3.55
9	Plug	F40L-04-01	1	ABS	
8	Saddle	F40L-03-01	2~3	Rubber	
7	Strap Screw	F40L-83-01	4~6	304SST	M8*70
6	Strap	F40L-02-01	2~3	304SST-Rubber	
5	O-Ring	F40L-59-01	2	EPDM	19*2.65
4	O-Ring	F40L-58-01	2	EPDM	90*5.3
3	End Plate	F40L-12-01	2	ABS	
2	Locking Crescent	F40L-94-01	4	304SST	
1	Pressure Shell	See Selection Table	1	Epoxy FRP	White
Ref.	Description	Part Number	Qty.	Material	Remark



Harbin FirstLine Environment Technology Co.,Ltd.

First Line

Design Date	Model	F40-300S Pressure Vessel	
Review Date	DRG	F40-30-S-00-01	
Approval Date	Unit	mm	REV. 2021