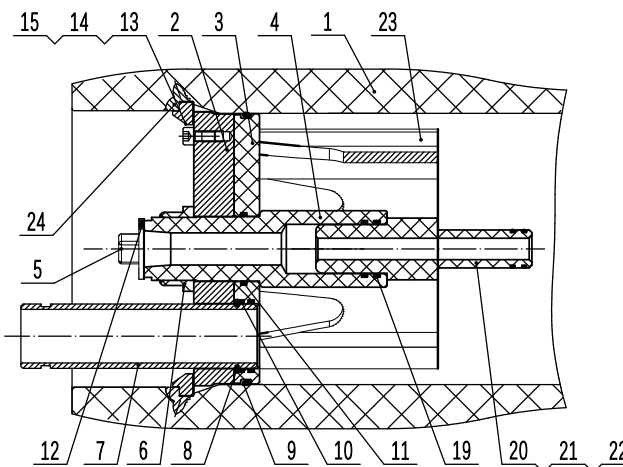


REF.	QTY.	PART NUMBER	DESCRIPTION	MATERIAL	REMARK
1	1	See Selection Table	Shell	Epoxy FRP	
2	2	20003119	Bearing Plate	Aluminium Alloy	
3	2	20001183	Sealing Plate	ABS	
4	2	20002270	Permeate Port	ABS	
5	1	20000073	Plug	ABS	
6	2	20000698	Nut	ABS	
7	2	20000425	Feed/Conc. Port	2507SST	
8	4	20000658	Retaining Ring	2507SST	
9	2	20001074	O-ring , Head	EPDM	
10	4	20002432	O-ring , F/C Port	EPDM	
11	2	20002432	O-ring , Permeate Port	EPDM	
12	1	20000314	O-ring , Plug	EPDM	
13	6	20000008 09 10	Locking Kit Segment	316SST	
14	6	20000196	Locking Segment Screw	304SST	M8x20
15	6	20000197	Spring Pad	304SST	Ø8
16	2-4	20000002	Saddle	Thermoplastic Rubber.	
17	2-4	20000187	Strap	304SST-PVC	
18	4-8	20000198	Strap Screw	304SST	M8*90
19	4	20000314	O-ring , Adapter	EPDM	
20	2	20002250	Adapter	PPO	
21	2	20000020	Shim , Adapter	ABS	2mm
22	4	20002423	O-ring , PWT	EPDM	
23	1	20000420	Thrust Ring	ABS	
24	2	30200026	Embedded Ring	316SST	



GENERAL NOTES:

1. DIMENSIONS IN MM.
2. MAX. ANGULAR VARIATION BETWEEN ANY PORT ±0.5.
3. DESIGN PRESSURE: 1200PSI.
4. DESIGN TEMPERATURE: Min.-7°C(20°F)-Max.49°C(120°F).
5. FOR OTHER TEMPERATURES OUT OF THIS RANGE CONTACT FIRST LINE.
6. CENTER VESSEL ON 2, 3 OR 4 SUPPORTS AT SPAN"S": 2 SUPPORTS(FOR LENGTH 1-3), 3 SUPPORTS(FOR LENGTH4-6) OR 4 SUPPORTS (FOR LENGTH 7-8).
7. FOR VESSEL INSTALLATION AND MAINTENANCE PLEASE REFER TO FIRST LINE USER'S MANUAL.
8. FOR REFERENCE ONLY, NOT FOR CONSTRUCTION UNLESS CERTIFIED.

Ref.	Part Number	L (MM)	S (MM)	Approx Assembly Weight (KG)
1	F801200E-1	1582	580	54-68
2	F801200E-2	2598	1350	56-72
3	F801200E-3	3614	2080	59-76
4	F801200E-4	4630	1600x2	62-81
5	F801200E-5	5646	2000x2	64-85
6	F801200E-6	6662	2360x2	66-89
7	F801200E-7	7678	2000x3	69-94
8	F801200E-8	8694	2350x3	71-98

Harbin First Line Environment Technology Co.,Ltd.

First Line	Design Date	Model F80-1200E Pressure Vessel
	Review Date	
	Approval Date	DRG F80-1200E-00-01
	Date	
		Unit MM
		REV. 2026