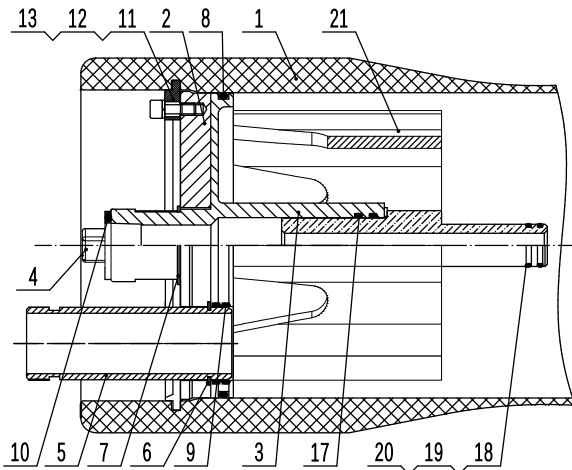


REF.	QTY.	PART NUMBER	DESCRIPTION	MATERIAL	REMARK
1	1	See Selection Table	Shell	Epoxy FRP	White
2	2	20000401	Bearing Plate	Aluminium Alloy	
3	2	20002336	Sealing Plate	ABS	
4	1	20000073	Plug	ABS	
5	2	20000423	Feed/Conc. Port	316LSST	
6	2	20000383	Retaining Ring , F/C Port	304SST	
7	2	20000383	Retaining Ring	304SST	
8	2	20000901	O-ring , Head	EPDM	
9	4	20002432	O-ring , F/C Port	EPDM	
10	1	20000314	O-ring , Plug	EPDM	
11	6	20000006	Locking Kit Segment	304SST	
12	6	20000196	Locking Segment Screw	304SST	M8x20
13	6	20000197	Spring Pad	304SST	Ø8
14	2-4	20000001	Saddle	Engineering Thermoplastic.	
15	2-4	20000186	Strap	304SST-PVC	
16	4-8	20000198	Strap Screw	304SST	M8*90
17	4	20000314	O-ring , Adapter	EPDM	
18	2	20000364	Adapter	ABS	
19	2	20000020	Shim , Adapter	ABS	2mm
20	4	20002423	O-ring , PWT	EPDM	
21	1	20000420	Thrust Ring	ABS	



GENERAL NOTES:
 1. DIMENSIONS IN MM.
 2. MAX. ANGULAR VARIATION BETWEEN ANY PORT ±0.5.
 3. DESIGN PRESSURE: 450PSI.
 4. DESIGN TEMPERATURE: Min.-7°C(20°F)-Max.49°C(120°F).
 5. FOR OTHER TEMPERATURES OUT OF THIS RANGE CONTACT FIRST LINE.
 6. CENTER VESSEL ON 2, 3 OR 4 SUPPORTS AT SPAN"S": 2 SUPPORTS(FOR LENGTH 1-3), 3 SUPPORTS(FOR LENGTH4-6) OR 4 SUPPORTS (FOR LENGTH 7-8) .
 7. FOR VESSEL INSTALLATION AND MAINTENANCE PLEASE REFER TO FIRST LINE USER'S MANUAL.
 8. FOR REFERENCE ONLY, NOT FOR CONSTRUCTION UNLESS CERTIFIED.

Ref.	Part Number	L (MM)	S (MM)	Approx Assembly Weight (KG)
1	F80450E-1	1494	580	24-29
2	F80450E-2	2510	1350	26-33
3	F80450E-3	3526	2080	28-37
4	F80450E-4	4542	1600x2	31-42
5	F80450E-5	5558	2000x2	33-46
6	F80450E-6	6574	2360x2	35-50
7	F80450E-7	7590	2000x3	38-54
8	F80450E-8	8606	2350x3	40-58

Harbin First Line Environment Technology Co.,Ltd.

First Line	Design Date	Model F80-450E Pressure Vessel
	Review Date	
	Approval Date	Unit MM