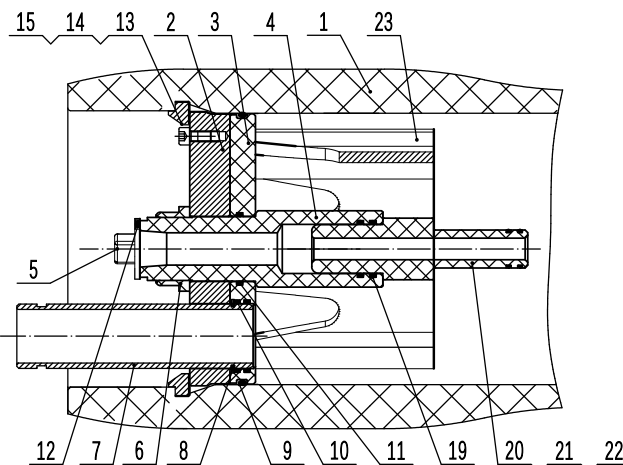


REF.	QTY.	PART NUMBER	DESCRIPTION	MATERIAL	REMARK
1	1	See Selection Table	Shell	Epoxy FRP	
2	2	20003197	Bearing Plate	Aluminium Alloy	
3	2	20001183	Sealing Plate	ABS	
4	2	20002270	Permeate Port	ABS	
5	1	20000073	Plug	ABS	
6	2	20000698	Nut	ABS	
7	2	20000425	Feed/Conc. Port	2507SST	
8	4	20000658	Retaining Ring	2507SST	
9	2	20001074	O-ring , Head	EPDM	
10	4	20002432	O-ring , F/C Port	EPDM	
11	2	20002432	O-ring , Permeate Port	EPDM	
12	1	20000314	O-ring , Plug	EPDM	
13	6	20000008 09 10	Locking Kit Segment	316SST	
14	6	20000196	Locking Segment Screw	304SST	M8x20
15	6	20000197	Spring Pad	304SST	Ø8
16	2-4	20000002	Saddle	Thermoplastic Rubber.	
17	2-4	20000187	Strap	304SST-PVC	
18	4-8	20000198	Strap Screw	304SST	M8*90
19	4	20000314	O-ring , Adapter	EPDM	
20	2	20002250	Adapter	PPO	
21	2	20000020	Shim , Adapter	ABS	2mm
22	4	20002423	O-ring , PWT	EPDM	
23	1	20000420	Thrust Ring	ABS	



GENERAL NOTES:

1. DIMENSIONS IN MM.
2. MAX. ANGULAR VARIATION BETWEEN ANY PORT ±0.5.
3. DESIGN PRESSURE: 600PSI.
4. DESIGN TEMPERATURE: Min.-7°C(20°F)-Max.49°C(120°F).
5. FOR OTHER TEMPERATURES OUT OF THIS RANGE CONTACT FIRST LINE.
6. CENTER VESSEL ON 2, 3 OR 4 SUPPORTS AT SPAN"S": 2 SUPPORTS(FOR LENGTH 1-3), 3 SUPPORTS(FOR LENGTH4-6) OR 4 SUPPORTS (FOR LENGTH 7-8).
7. FOR VESSEL INSTALLATION AND MAINTENANCE PLEASE REFER TO FIRST LINE USER'S MANUAL.
8. FOR REFERENCE ONLY, NOT FOR CONSTRUCTION UNLESS CERTIFIED.

Ref.	Part Number	L (MM)	S (MM)	Approx Assembly Weight (KG)
1	F80600E-1	1550	580	41-50
2	F80600E-2	2566	1350	44-54
3	F80600E-3	3582	2080	47-58
4	F80600E-4	4598	1600x2	51-63
5	F80600E-5	5614	2000x2	54-67
6	F80600E-6	6630	2360x2	57-71
7	F80600E-7	7646	2000x3	61-76
8	F80600E-8	8662	2350x3	64-80

Harbin First Line Environment Technology Co.,Ltd.

First Line	Design Date	Model F80-600E Pressure Vessel
	Review Date	
	Approval Date	Unit MM