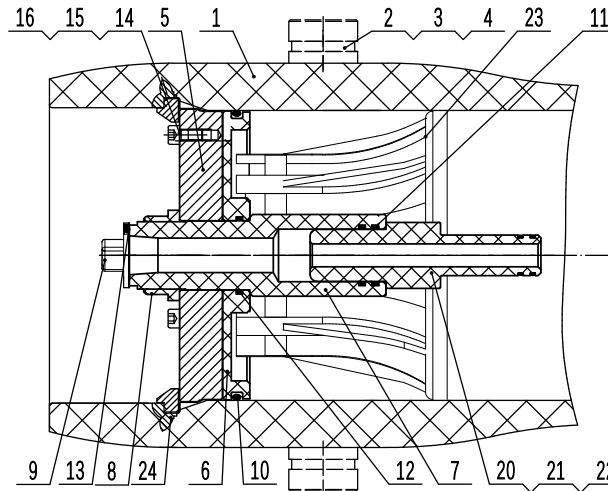


REF.	QTY.	PART NUMBER	DESCRIPTION	MATERIAL	REMARK
1	1	See Selection Table	Shell	Epoxy FRP	White
2	2-4	20002766	Feed/Conc. Port	2507SST	1.5"
21	2-4	20002767	Feed/Conc. Port	2507SST	2"
22	2-4	20002957	Feed/Conc. Port	2507SST	2.5"
23	2-4	20002899	Feed/Conc. Port	2507SST	3"
3	2-4	20002424	O-ring, F/C Port	EPDM	
31	2-4	20002645	O-ring, F/C Port	EPDM	
32	2-4	20002425	O-ring, F/C Port	EPDM	
33	2-4	20002677	O-ring, F/C Port	EPDM	
34	2-4	20002426	O-ring, F/C Port	EPDM	
35	2-4	20002678	O-ring, F/C Port	EPDM	
36	2-4	20002428	O-ring, F/C Port	EPDM	
37	2-4	20002788	O-ring, F/C Port	EPDM	
4	2-4	20002779	Locknut, F/C Port	316SST	1.5"
41	2-4	20002780	Locknut, F/C Port	316SST	2"
42	2-4	20002667	Locknut, F/C Port	316SST	2.5"
43	2-4	20002682	Locknut, F/C Port	316SST	3"
5	2	20003050	Bearing Plate	Aluminium Alloy	
6	2	20001809	Sealing Plate	ABS	
7	2	20002270	Permeate Port	ABS	
8	2	20000698	Nut	ABS	
9	1	20000073	Plug	ABS	
10	2	20001074	O-ring, Head	EPDM	
11	4	20000314	O-ring, Adapter	EPDM	
12	2	20002432	O-ring, Permeate Port	EPDM	
13	1	20000314	O-ring, Plug	EPDM	
14	6	20000008 09 10	Locking Kit Segment	316SST	
15	6	20000196	Locking Segment Screw	304SST	M8x20
16	6	20000197	Spring Pad	304SST	Ø8
17	2-4	20000002	Saddle	Thermoplastic Rubber.	
18	2-4	20000188	Strap	304SST-PVC	
19	4-8	20000198	Strap Screw	304SST	M8*90
20	2	20002250	Adapter	PPO	
21	2	20000020	Shim, Adapter	ABS	2mm
22	4	20002423	O-ring, PWT	EPDM	
23	1	20000418	Thrust Ring	ABS	
24	2	30200026	Embedded Ring	316SST	



GENERAL NOTES:

1. DIMENSIONS IN MM.
2. MAX. ANGULAR VARIATION BETWEEN ANY PORT ±0.5.
3. DESIGN PRESSURE: 1200PSI.
4. DESIGN TEMPERATURE: Min.-7°C(20°F)-Max.49°C(120°F).
5. FOR OTHER TEMPERATURES OUT OF THIS RANGE CONTACT FIRST LINE.
6. CENTER VESSEL ON 2, 3 OR 4 SUPPORTS AT SPAN"S": 2 SUPPORTS(FOR LENGTH 1-3), 3 SUPPORTS(FOR LENGTH4-6) OR 4 SUPPORTS (FOR LENGTH 7-8).
7. FOR VESSEL INSTALLATION AND MAINTENANCE PLEASE REFER TO FIRST LINE USER'S MANUAL.
8. FOR REFERENCE ONLY, NOT FOR CONSTRUCTION UNLESS CERTIFIED.

PORT SIZE CODE	D (MM)	H (MM)	C (MM)	
D	1.5" Grooved End	264	161	400
E	2" Grooved End	268	164	400
F	2.5" Grooved End	274	177	450
G	3" Grooved End	288	187	450

Ref.	Part Number	L (MM)	P (MM)	S (MM)	Approx Assembly Weight (KG)
1	F801200S-1	1582	1143	350	54-57
2	F801200S-2	2598	2159	1350	68-73
3	F801200S-3	3614	3175	2080	81-89
4	F801200S-4	4630	4191	1600x2	96-105
5	F801200S-5	5646	5207	2000x2	109-121
6	F801200S-6	6662	6223	2360x2	123-137
7	F801200S-7	7678	7239	2000x3	138-153
8	F801200S-8	8694	8255	2350x3	151-169

Harbin First Line Environment Technology Co.,Ltd.

First Line	Design Date	Model F80-1200S Pressure Vessel
	Review Date	
	Approval Date	DRG F80-1200S-00-01
	Date	Unit MM