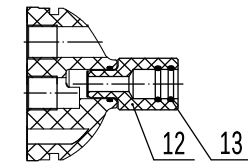
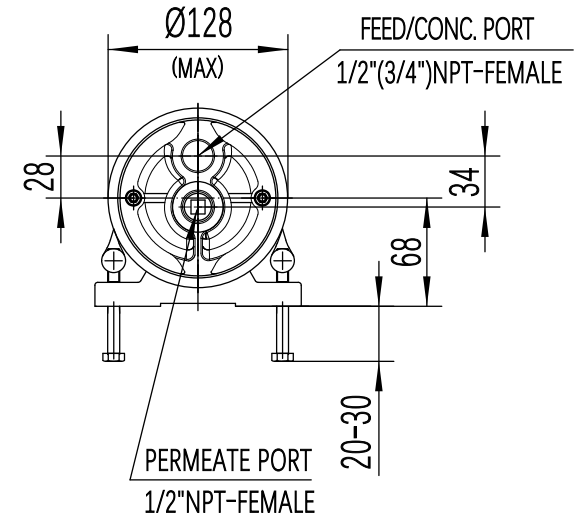
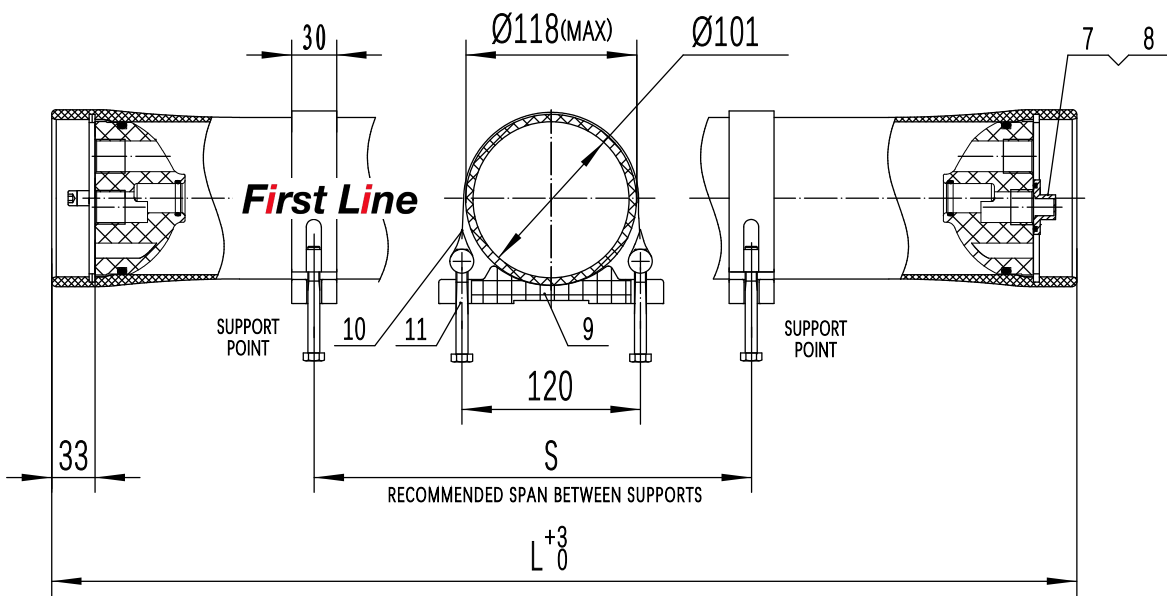
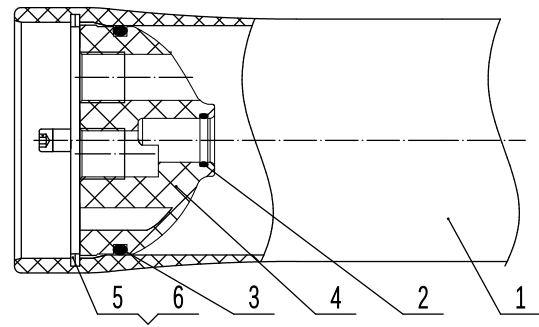


450PSI



* Parts 12 and 13 are used for 4 to 6 elements vessel only



| REF. | QTY. | PART NUMBER | DESCRIPTION | MATERIAL | REMARK |
|------|------|---------------------|------------------------|----------------------------|-----------|
| 1 | 1 | See Selection Table | Shell | Epoxy FRP | White |
| 2 | 2 | 20002478 | O-ring , PWT | EPDM | |
| 3 | 2 | 20000319 | O-ring , Head | EPDM | |
| 4 | 2 | 20000025 | End Plate | ABS | 1/2"x1/2" |
| | | 20000027 | | | 1/2"x3/4" |
| 5 | 4 | 20003425 | Locking Crescent | 304SST | |
| 6 | 4 | 20003574 | Locking Crescent Screw | 304SST | M6x12 |
| 7 | 1 | 20002813 | O-ring , Plug | EPDM | |
| 8 | 1 | 20000075 | Plug | ABS | |
| 9 | 2-3 | 20000003 | Saddle | Engineering Thermoplastic. | |
| 10 | 2-3 | 20000190 | Strap | 304SST-PVC | |
| 11 | 4-6 | 20000200 | Strap Screw | 304SST | M8x70 |
| | | | | | |
| 12 | 2 | 20003141 | Adapter | PPO | |
| 13 | 4 | 20002478 | O-ring , PWT | EPDM | |

GENERAL NOTES:
 1. DIMENSIONS IN MM.
 2. MAX. ANGULAR VARIATION BETWEEN ANY PORT ±0.5.
 3. DESIGN PRESSURE: 450PSI.
 4. DESIGN TEMPERATURE: Min.-7°C(20°F)-Max.49°C(120°F).
 5. FOR OTHER TEMPERATURES OUT OF THIS RANGE CONTACT FIRST LINE .
 6. CENTER VESSEL ON 2 OR 3 SUPPORTS AT SPAN'S*: 2 SUPPORTS(FOR LENGTH 1-3), 3 SUPPORTS(FOR LENGTH 4-6) .
 7. FOR VESSEL INSTALLATION AND MAINTENANCE PLEASE REFER TO FIRST LINE USER'S MANUAL.
 8. FOR REFERENCE ONLY, NOT FOR CONSTRUCTION UNLESS CERTIFIED.

| Ref. | Part Number | L (MM) | S (MM) | Approx Assembly Weight (KG) |
|------|-------------|----------|----------|-----------------------------|
| 1 | F40450E-1 | 1152 | 600 | 8 |
| 2 | F40450E-2 | 2168 | 1200 | 11.5 |
| 3 | F40450E-3 | 3184 | 2200 | 15 |
| 4 | F40450E-4 | 4280 | 1600x2 | 27 |
| 5 | F40450E-5 | 5296 | 2300x2 | 32 |
| 6 | F40450E-6 | 6312 | 2700x2 | 37 |

Harbin First Line Environment Technology Co.,Ltd.

| | | |
|-------------------|---------------|-----------------------------------|
| First Line | Design Date | Model F40-450E Pressure Vessel |
| | Review Date | |
| | Approval Date | DRG F40-450E-00-01 |
| | Date | Unit MM |