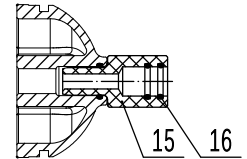
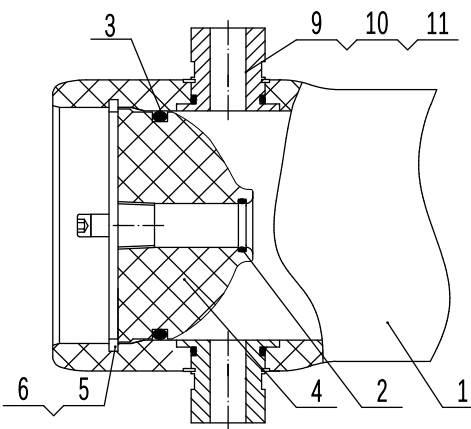
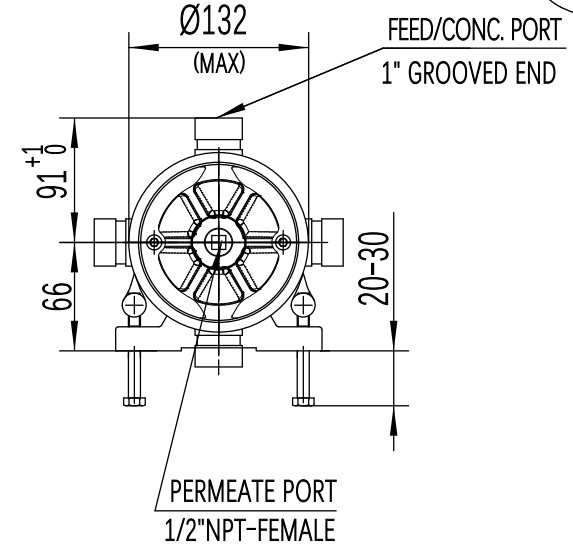
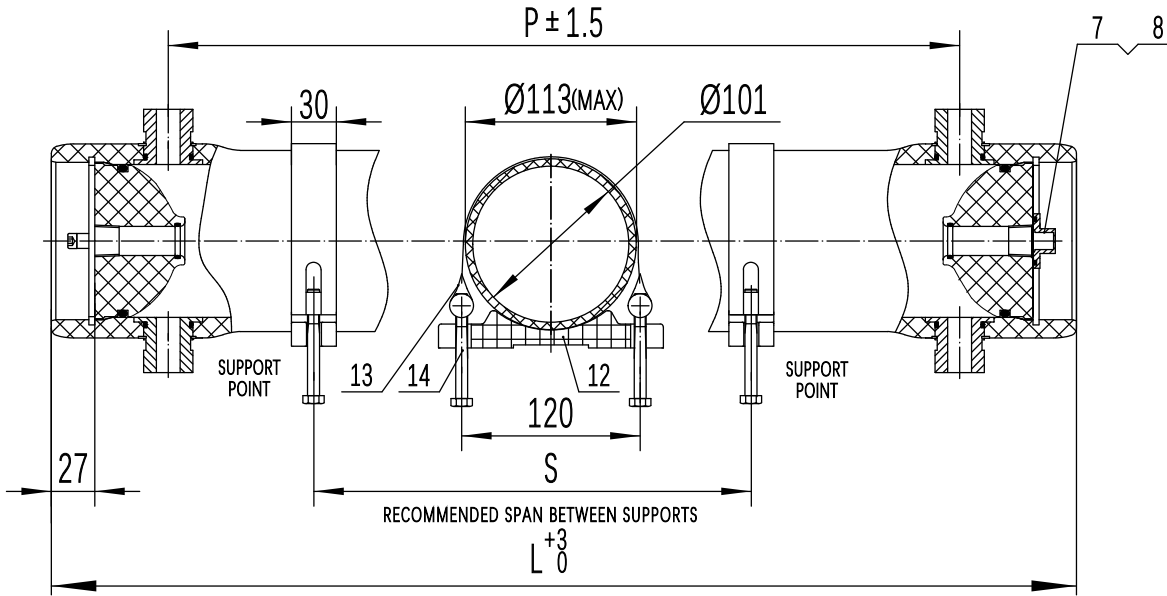


300PSI



\* Parts 15 and 16 are used for 4 to 6 elements vessel only

REF.	QTY.	PART NUMBER	DESCRIPTION	MATERIAL	REMARK
1	1	See Selection Table	Shell	Epoxy FRP	White
2	2	20002478	O-ring , PWT	EPDM	
3	2	20000319	O-ring , Head	EPDM	
4	2	20000032	End Plate	ABS	
5	4	20001081	Locking Crescent	304SST	
6	4	20000205	Locking Crescent Screw	304SST	M6x10
7	1	20002813	O-ring , Plug	EPDM	
8	1	20000075	Plug	ABS	
9	2-4	20000491	Feed/Conc. Port	316LSST	
10	4-8	20000326	O-ring , F/C Port	EPDM	
11	2-4	20000392	Retaining Ring	304SST	
12	2-3	20000003	Saddle	Engineering Thermoplastic.	
13	2-3	20000190	Strap	304SST-PVC	
14	4-6	20000200	Strap Screw	304SST	M8x70
15	2	20003141	Adapter	PPO	
16	4	20002478	O-ring , PWT	EPDM	

GENERAL NOTES:  
 1. DIMENSIONS IN MM.  
 2. MAX. ANGULAR VARIATION BETWEEN ANY PORT ±0.5.  
 3. DESIGN PRESSURE: 300PSI.  
 4. DESIGN TEMPERATURE: Min.-7°C(20°F)-Max.49°C(120°F).  
 5. FOR OTHER TEMPERATURES OUT OF THIS RANGE CONTACT FIRST LINE .  
 6. CENTER VESSEL ON 2 OR 3 SUPPORTS AT SPAN"S": 2 SUPPORTS(FOR LENGTH 1-3), 3 SUPPORTS(FOR LENGTH 4-6) .  
 7. FOR VESSEL INSTALLATION AND MAINTENANCE PLEASE REFER TO FIRST LINE USER'S MANUAL.  
 8. FOR REFERENCE ONLY, NOT FOR CONSTRUCTION UNLESS CERTIFIED.

Ref.	Part Number	L ( MM )	P ( MM )	S ( MM )	Approx Assembly Weight (KG)
1	F40300S-1	1140	996	600	7.6
2	F40300S-2	2156	2012	1200	11
3	F40300S-3	3172	3028	2200	14.4
4	F40300S-4	4268	4112	1600x2	21.7
5	F40300S-5	5284	5128	2300x2	26.4
6	F40300S-6	6300	6144	2700x2	31.1

Harbin First Line Environment Technology Co.,Ltd.

<b>First Line</b>	Design Date	Model F40-300S Pressure Vessel
	Review Date	
	Approval Date	DRG F40-300S-00-01
	Date	Unit MM