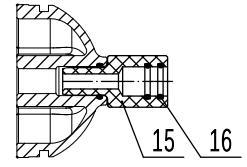
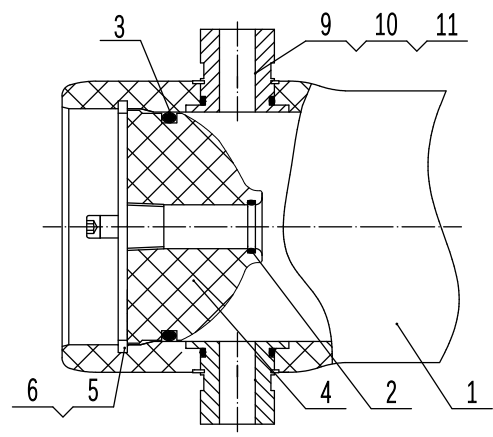
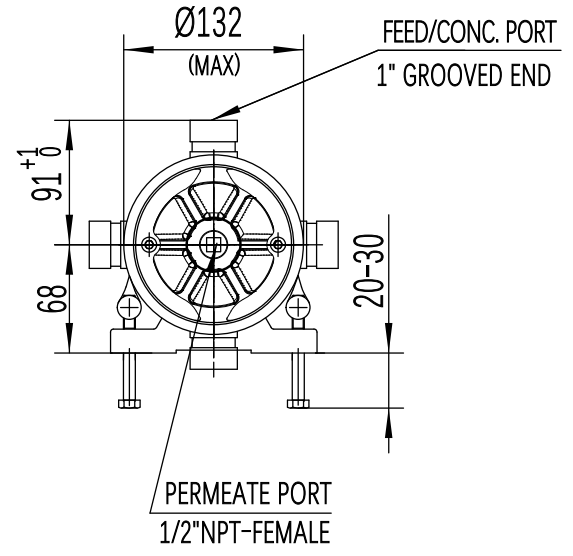
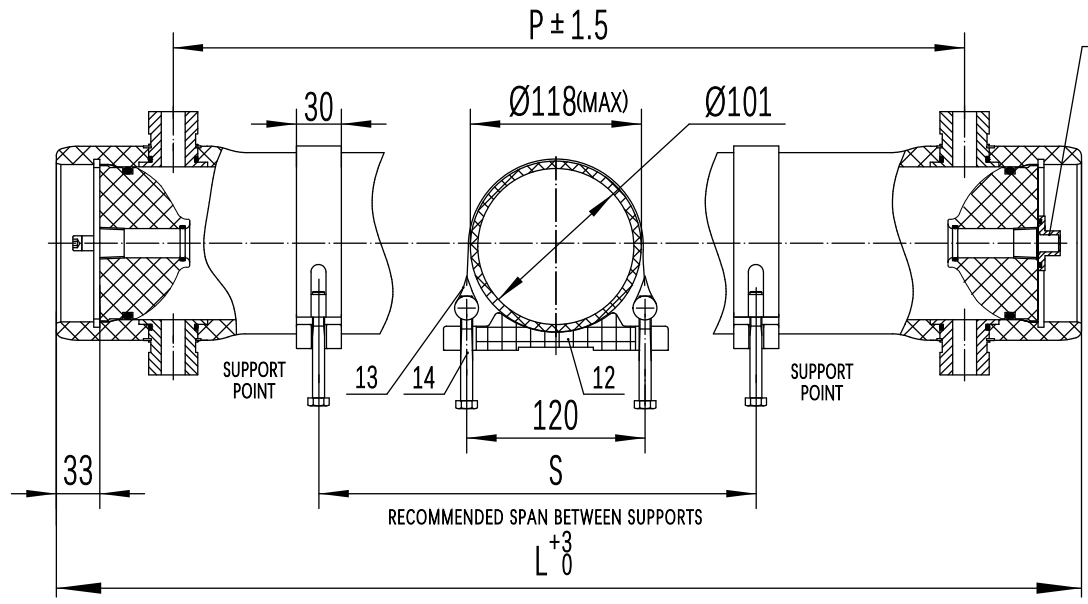


450PSI



* Parts 15 and 16 are used for 4 to 6 elements vessel only

REF.	QTY.	PART NUMBER	DESCRIPTION	MATERIAL	REMARK
1	1	See Selection Table	Shell	Epoxy FRP	White
2	2	20002478	O-ring , PWT	EPDM	
3	2	20000319	O-ring , Head	EPDM	
4	2	20000032	End Plate	ABS	
5	4	20003425	Locking Crescent	304SST	
6	4	20003574	Locking Crescent Screw	304SST	M6x12
7	1	20002813	O-ring , Plug	EPDM	
8	1	20000075	Plug	ABS	
9	2-4	20000491	Feed/Conc. Port	316LSST	
10	4-8	20000326	O-ring , F/C Port	EPDM	
11	2-4	20000392	Retaining Ring	304SST	
12	2-3	20000003	Saddle	Engineering Thermoplastic.	
13	2-3	20000190	Strap	304SST-PVC	
14	4-6	20000200	Strap Screw	304SST	M8x70
15	2	20003141	Adapter	PPO	
16	4	20002478	O-ring , PWT	EPDM	

GENERAL NOTES:
 1. DIMENSIONS IN MM.
 2. MAX. ANGULAR VARIATION BETWEEN ANY PORT ±0.5.
 3. DESIGN PRESSURE: 450PSI.
 4. DESIGN TEMPERATURE: Min.-7°C(20°F)-Max.49°C(120°F).
 5. FOR OTHER TEMPERATURES OUT OF THIS RANGE CONTACT FIRST LINE .
 6. CENTER VESSEL ON 2 OR 3 SUPPORTS AT SPAN"S": 2 SUPPORTS(FOR LENGTH 1-3), 3 SUPPORTS(FOR LENGTH 4-6) .
 7. FOR VESSEL INSTALLATION AND MAINTENANCE PLEASE REFER TO FIRST LINE USER'S MANUAL.
 8. FOR REFERENCE ONLY, NOT FOR CONSTRUCTION UNLESS CERTIFIED.

Ref.	Part Number	L (MM)	P (MM)	S (MM)	Approx Assembly Weight (KG)
1	F40450S-1	1152	996	600	10.6
2	F40450S-2	2168	2012	1200	15.3
3	F40450S-3	3184	3028	2200	20
4	F40450S-4	4280	4112	1600x2	27
5	F40450S-5	5296	5128	2300x2	32
6	F40450S-6	6312	6144	2700x2	37

Harbin First Line Environment Technology Co.,Ltd.

First Line	Design Date	Model F40-450S Pressure Vessel
	Review Date	
	Approval Date	DRG F40-450S-00-01
	Date	
		Unit MM
		REV. 2026