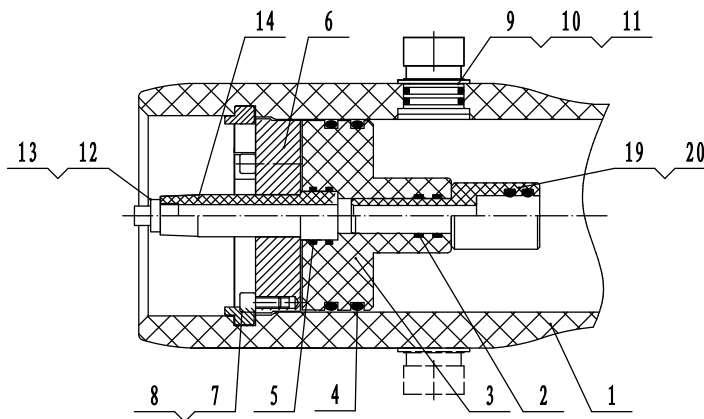


REF.	QTY.	PART NUMBER	DESCRIPTION	MATERIAL	REMARK
1	1	See Selection Table	Shell	Epoxy FRP	White
2	4	20002429	O-ring , Adapter	EPDM	
3	2	20002841	Sealing Plate	ABS	
4	4	20002659	O-ring , Head	EPDM	
5	4	20002430	O-ring , Permeate Port	EPDM	
6	2	20003326	Bearing Plate	Aluminium Alloy	
7	6	20000013 14 15	Locking Kit Segment	316SST	
8	6	20000205	Locking Kit Screw	304SST	M6x10
9	4	20000326	O-ring , F/C Port	EPDM	
10	2	20000392	Retaining Ring	304SST	
11	2	20000493	Feed/Conc. Port	2507SST	
12	1	20003046	Plug	PPO	
13	1	20003001	O-ring , Plug	EPDM	
14	2	20002845	Permeate Port	PPO	
15	2-3	20000003	Saddle	Engineering Thermoplastic.	
16	2-3	20000191	Strap	304SST-PVC	
17	4-6	20000200	Strap Screw	304SST	M8x70
18	4	20000439	Connecting Bolt	304SST	M6x25
19	4	20002478	O-ring , PWT	EPDM	
20	2	20002843	Adapter	PPO	



GENERAL NOTES:

1. DIMENSIONS IN MM.
2. MAX. ANGULAR VARIATION BETWEEN ANY PORT ± 0.5 .
3. DESIGN PRESSURE: 1200PSI.
4. DESIGN TEMPERATURE: Min. $-7^{\circ}\text{C}(20^{\circ}\text{F})$ -Max. $49^{\circ}\text{C}(120^{\circ}\text{F})$.
5. FOR OTHER TEMPERATURES OUT OF THIS RANGE CONTACT FIRST LINE.
6. CENTER VESSEL ON 2 OR 3 SUPPORTS AT SPAN'S": 2 SUPPORTS(FOR LENGTH 1-3), 3 SUPPORTS(FOR LENGTH 4-6) .
7. FOR VESSEL INSTALLATION AND MAINTENANCE PLEASE REFER TO FIRST LINE USER'S MANUAL.
8. FOR REFERENCE ONLY, NOT FOR CONSTRUCTION UNLESS CERTIFIED.

Ref.	Part Number	L (MM)	P (MM)	S (MM)	Approx Assembly Weight (KG)
1	F401200S-1	1364	1036	600	20
2	F401200S-2	2380	2052	1200	30
3	F401200S-3	3396	3068	2200	40
4	F401200S-4	4412	4084	1600x2	58
5	F401200S-5	5428	5100	2300x2	70
6	F401200S-6	6444	6116	2700x2	82

Harbin First Line Environment Technology Co.,Ltd.

First Line	Design Date	Model F40-1200S Pressure Vessel
	Review Date	
	Approval Date	Unit MM
		REV. 2026