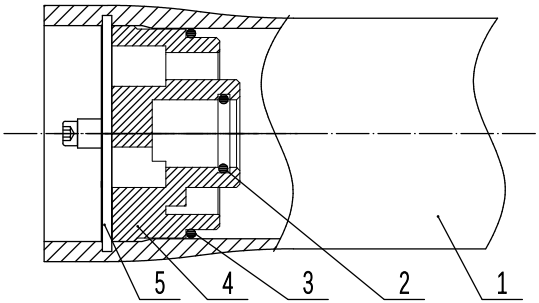
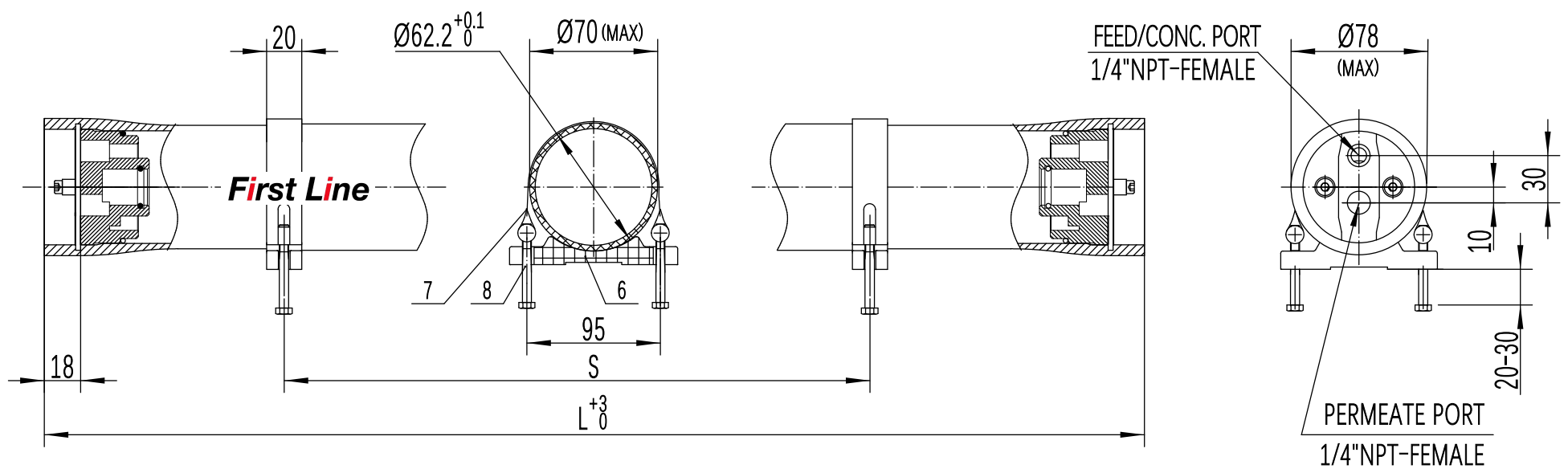


300PSI



REF.	QTY.	PART NUMBER	DESCRIPTION	MATERIAL	REMARK
1	1	See Selection Table	Shell	Epoxy FRP	White
2	2	20002478	O-ring , PWT	EPDM	
3	2	20002658	O-ring , Head	EPDM	
4	2	20000036	End Plate	ABS	
5	4	20000016	Locking Crescent	304SST	
6	2	20000004	Saddle	Engineering Thermoplastic.	
7	2	20000195	Strap	304SST-PVC	
8	4	20000206	Strap Screw	304SST	M6x60

GENERAL NOTES:
 1. DIMENSIONS IN MM.
 2. MAX. ANGULAR VARIATION BETWEEN ANY PORT ±0.5.
 3. DESIGN PRESSURE: 300PSI.
 4. DESIGN TEMPERATURE: Min.-7°C(20°F)-Max.49°C(120°F).
 5. FOR OTHER TEMPERATURES OUT OF THIS RANGE CONTACT FIRST LINE.
 6. FOR VESSEL INSTALLATION AND MAINTENANCE PLEASE REFER TO FIRST LINE USER'S MANUAL.
 7. FOR REFERENCE ONLY, NOT FOR CONSTRUCTION UNLESS CERTIFIED.

Ref.	Part Number	L (MM)	S (MM)	Approx Assembly Weight (KG)
2540	F25300E-1	1088	700	2.5
2521	F25300E-2	605	400	1.6
2514	F25300E-3	427	200	1.4

Harbin First Line Environment Technology Co.,Ltd.

First Line	Design Date	Model F25-300E Pressure Vessel
	Review Date	
	Approval Date	Unit MM