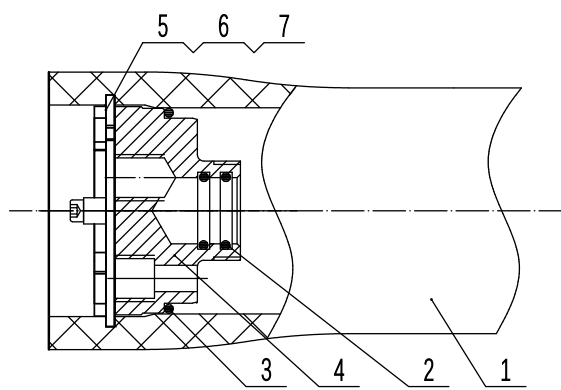
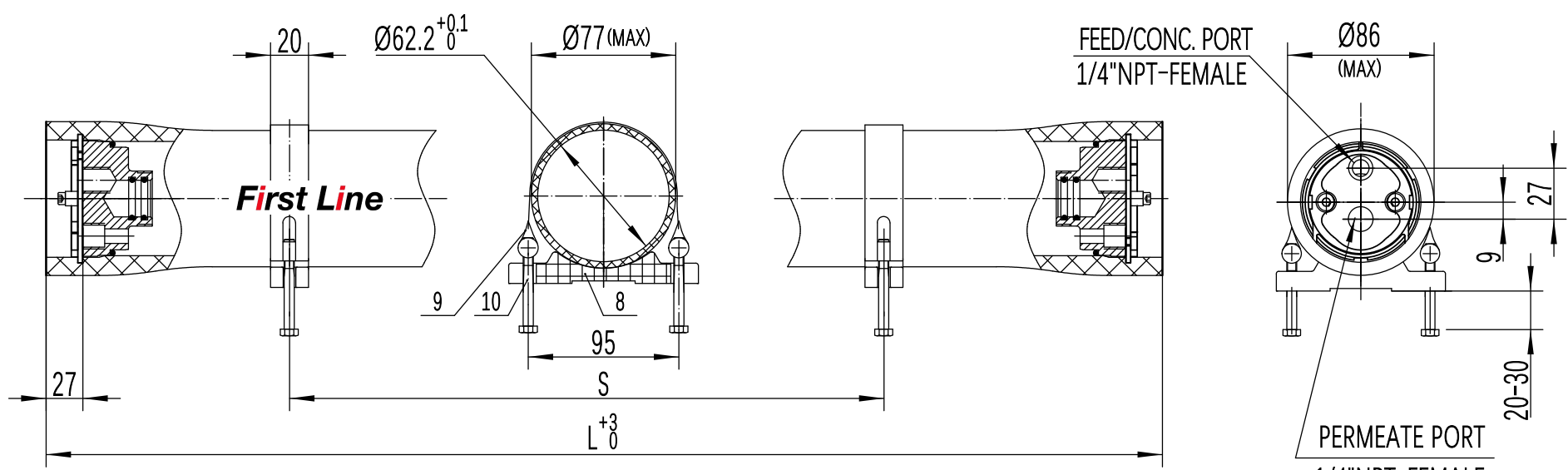


1000PSI



REF.	QTY.	PART NUMBER	DESCRIPTION	MATERIAL	REMARK
1	1	See Selection Table	Shell	Epoxy FRP	White
2	4	20002478	O-ring, PWT	EPDM	
3	2	20002658	O-ring, Head	EPDM	
4	2	20000042	End Plate	2507SST	
5	6	20001061 62 63	Locking Kit Segment	2507SST	
6	2	20001064	Securing Ring	2507SST	
7	4	20000205	Securing Screw	304SST	M6x10
8	2	20000004	Saddle	Engineering Thermoplastic.	
9	2	20000195	Strap	304SST-PVC	
10	4	20000206	Strap Screw	304SST	M6x60

GENERAL NOTES:  
 1. DIMENSIONS IN MM.  
 2. MAX. ANGULAR VARIATION BETWEEN ANY PORT ±0.5.  
 3. DESIGN PRESSURE: 1000PSI.  
 4. DESIGN TEMPERATURE: Min.-7°C(20°F)-Max.49°C(120°F).  
 5. FOR OTHER TEMPERATURES OUT OF THIS RANGE CONTACT FIRST LINE.  
 6. FOR VESSEL INSTALLATION AND MAINTENANCE PLEASE REFER TO FIRST LINE USER'S MANUAL.  
 7. FOR REFERENCE ONLY, NOT FOR CONSTRUCTION UNLESS CERTIFIED.

Ref.	Part Number	L (MM)	S (MM)	Approx Assembly Weight (KG)
2540	F251000E-1	1106	700	5.3
2521	F251000E-2	623	400	3.8
2514	F251000E-3	445	200	3

Harbin First Line Environment Technology Co.,Ltd.

<b>First Line</b>	Design Date	Model F25-1000E Pressure Vessel
	Review Date	
	Approval Date	DRG F25-1000E-00-01
	Date	
		Unit MM
		REV. 2026